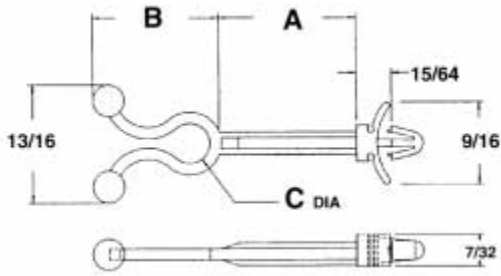


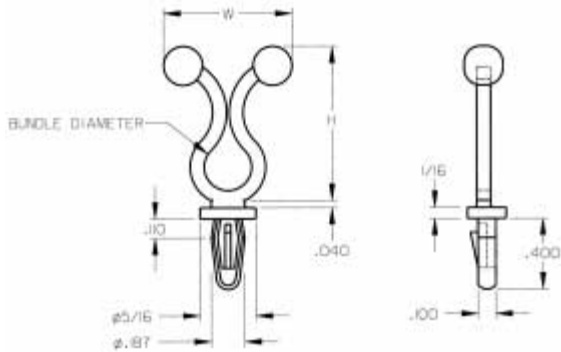
WIRE HANDLING HARDWARE



HOLE SIZE .187" • PANEL THICKNESS .030"/.078"

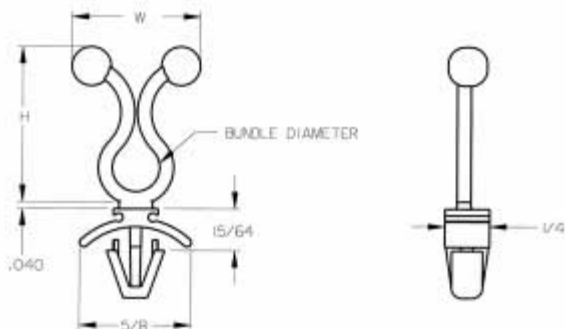
"EZ" TWIST LOCK SUPPORTS

ITEM NUMBER	DESCRIPTION	A	B	C
23EZO250N0954	.250 BUNDLE DIA.	.954 (24.23)	.876 (22.25)	.276 (7.01)
23EZO450N0030	.450 BUNDLE DIA.	.028 (0.71)	1.180 (29.97)	.453 (11.51)
23EZO200N0030	.200 BUNDLE DIA.	.011 (0.28)	.844 (21.44)	.205 (5.21)
23EZO375N0030	.375 BUNDLE DIA.	.050 (1.27)	1.066 (27.08)	.350 (8.89)
23EZO450N0625	.450 BUNDLE DIA.	.625 (15.88)	1.184 (30.07)	.453 (11.51)
23EZO625N0028	.625 BUNDLE DIA.	.028 (0.71)	1.270 (32.26)	.620 (15.75)



"EZ" TWIST LOCK SUPPORTS

ITEM NUMBER	DESCRIPTION	PANEL THICKNESS	H	W
23EZO250C0040	.250 BUNDLE DIA.	1/16" (1.57)	7/8" (22.23)	23/32" (18.24)
23EZO375C0040	.375 BUNDLE DIA.	1/16" (1.57)	1-5/64" (27.37)	3/4" (19.08)
23EZO500C0040	.500 BUNDLE DIA.	1/16" (1.57)	1-13/64 (30.56)	7/8" (15.88)



"EZ" TWIST LOCK SUPPORTS

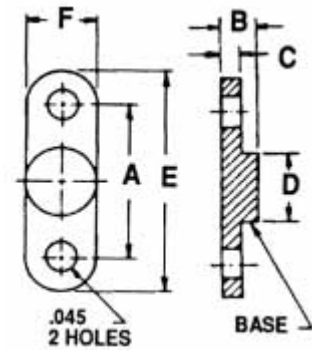
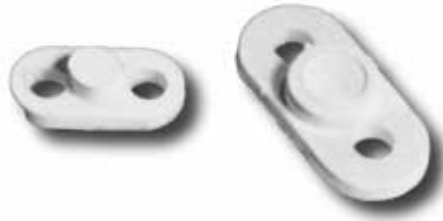
ITEM NUMBER	DESCRIPTION	PANEL THICKNESS	H	W
23EZO250B0040	.250 BUNDLE DIA.	.047 (1.19 / .109 (2.77))	7/8" (22.23)	23/32" (18.24)
23EZO375B0040	.375 BUNDLE DIA.	.047 (1.19 / .109 (2.77))	1-5/64" (27.37)	3/4" (19.08)
23EZO500B0040	.500 BUNDLE DIA.	.047 (1.19 / .109 (2.77))	1-13/64" (30.56)	7/8" (15.88)



CIRCUIT BOARD HARDWARE

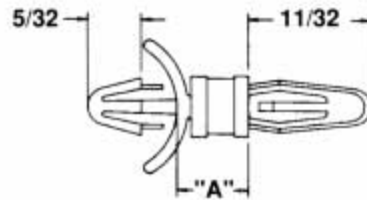
Accurately positions capacitors or discrete components on P.C. Board.

Material: Type 66 Nylon



NYLON CAPACITOR MOUNTS

ITEM NUMBER	DESCRIPTION	A	B	C	D	E	F
22CM0100	CM-100	.100 (2,54)	.045 (1,14)	.022 (0,56)	.050/.070 (1,27)/(1,78)	.180 (4,57)	.090 (2,29)
22CM0150	CM-150	.150 (3,81)	.045 (1,14)	.022 (0,56)	.090/.125 (2,29)/(3,18)	.270 (6,86)	.125 (3,18)
22CM0200	CM-200	.200 (5,08)	.045 (1,14)	.022 (0,56)	.090 (2,29)	.290 (7,37)	.090 (2,29)



BOTH ENDS
HOLE DIAMETER .125
PANEL THICKNESS 1/16"

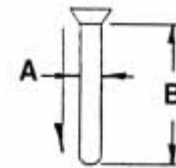
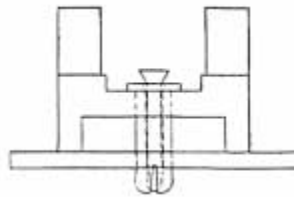
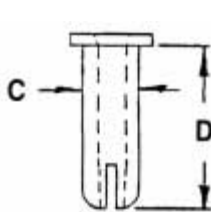
NYLON P.C.B. SUPPORTS

ITEM NUMBER	DESCRIPTION	A
27MLP0187	MLP 187	.187 (4,75)



TWO - PIECE NYLON FASTENER FOR USE WITH EDGE CONNECTOR ASSEMBLY

Body Item "A" is inserted through the connector and through the chassis. Pin Item "B" then is pushed or tapped into the body to secure the connector to the chassis. Head design of the pin permits easy removal, connector then can be easily replaced.



BODY ITEM "A"

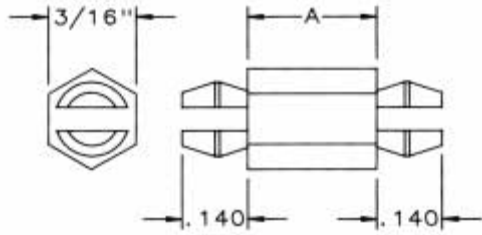
ITEM NUMBER	C	D
27TPF0001A	.109 (2,76)	.305 (7,74)
27TPF0002A	.110 (2,79)	.350 (8,88)
27TPF0003A	.110 (2,79)	.480 (12,19)
27TPF0004A	.096 (2,43)	.340 (8,63)



PIN ITEM "B"

ITEM NUMBER	B	A
27TPF0001B	.330 (8,38)	.069 (1,75)
27TPF0002B	.360 (9,14)	.069 (1,75)
27TPF0003B	.455 (11,55)	.069 (1,75)
27TPF0004B	.340 (8,63)	.062 (1,57)

CIRCUIT BOARD HARDWARE



NYLON LOCKING HEX SPACERS

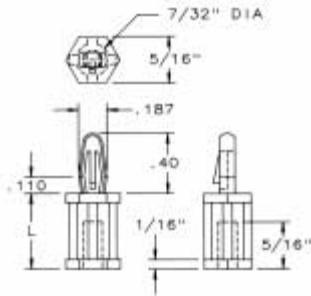
ITEM NUMBER	DESCRIPTION	A
27MPH00276	MPH 276	.276 (7,01)

Economical Locking Spacers eliminate screws, nuts and lock washers in mounting P.C. boards on metal chassis or stacking in multiple tiers. Unique locking clips provide a mechanically secure, reusable connection in predrilled or punched holes while saving considerable assembly time.



FITS HOLE SIZE OF .152 +/- .002 BOARD THICKNESS 1/16

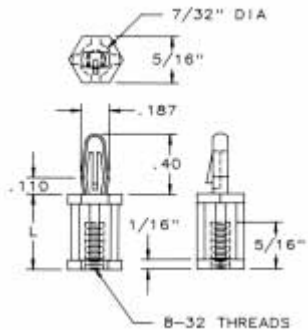
FEMALE NYLON CIRCUIT BOARD POSTS



RECOMMENDED HOLE SIZE .156

PANEL THICKNESS 1/16"

NOTE: SELF-THREADING POSTS ARE DESIGNED FOR USE WITH A #6 SELF-TAPPING SCREW.



SELF-THREADING

ITEM NUMBER	DESCRIPTION	"L"
27FSTP00250*	FSTP 250	.250 (6,35)
27FSTP00375	FSTP 375	.375 (9,53)
27FSTP00500	FSTP 500	.500 (12,70)
27FSTP00625	FSTP 625	.625 (15,88)
27FSTP00750	FSTP 750	.750 (19,05)
27FSTP00875	FSTP 875	.875 (22,23)
27FSTP01000	FSTP 1000	1.000 (25,40)
27FSTP01125	FSTP 1125	1.125 (28,58)
27FSTP01250	FSTP 1250	1.250 (31,75)
27FSTP01406	FSTP 1406	1.406 (35,71)

* 1/4" length has a thread depth of 13/64".

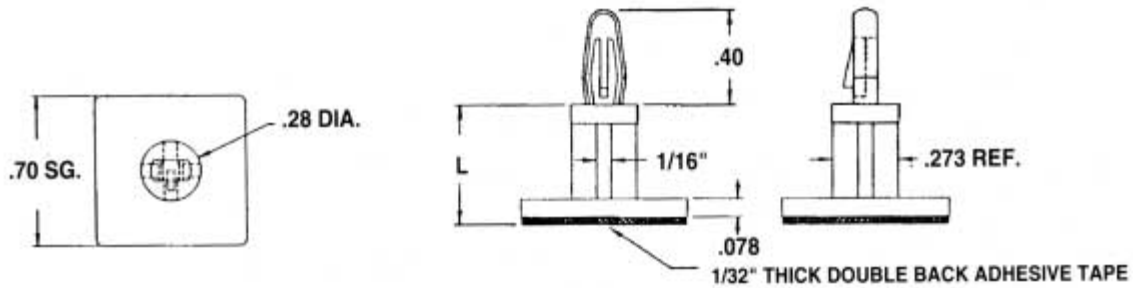


THREADED

ITEM NUMBER	DESCRIPTION	"L"
27FIP00250*	FIP 250	.250 (6,35)
27FIP00375	FIP 375	.375 (9,53)
27FIP00500	FIP 500	.500 (12,70)
27FIP00625	FIP 625	.625 (15,88)
27FIP00750	FIP 750	.750 (19,05)
27FIP00875	FIP 875	.875 (22,23)
27FIP01000	FIP 1000	1.000 (25,40)
27FIP01125	FIP 1125	1.125 (28,58)
27FIP01250	FIP 1250	1.250 (31,75)
27FIP01406	FIP 1406	1.406 (35,71)

* 1/4" length has a thread depth of 13/64".

CIRCUIT BOARD HARDWARE



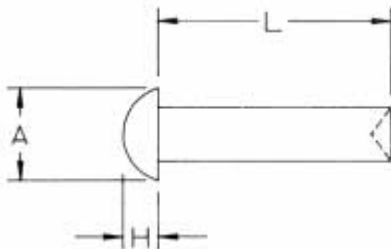
FITS RECOMMENDED HOLE SIZE OF .156 - PANEL THICKNESS 1/16"

NYLON LOCKING P.C.B. SUPPORT ON ADHESIVE BASE



ITEM NUMBER	DESCRIPTION	"L"
27LAD0187	LAD 187	.187 (4,75)
27LAD0250	LAD 250	.250 (6,35)
27LAD0375	LAD 375	.375 (9,53)
27LAD0500	LAD 500	.500 (12,70)
27LAD0625	LAD 625	.625 (15,88)
27LAD0750	LAD 750	.750 (19,05)
27LAD0875	LAD 875	.875 (22,23)
27LAD1000	LAD 1000	1.000 (25,40)
27LAD1125	LAD 1125	1.125 (28,56)

MOLDED ACETAL RIVETS



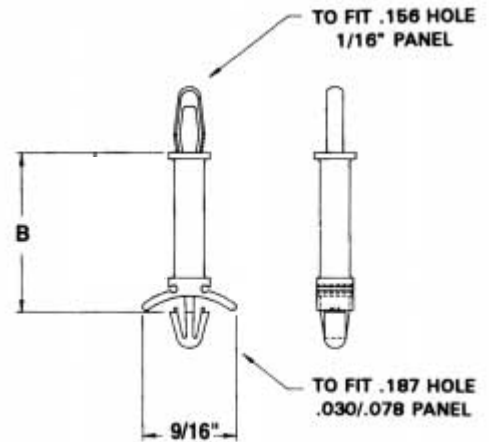
ITEM NUMBER	DESCRIPTION	SHANK	A	H	LENGTH
26RIV001	RIV 1	.085 (2,16)	.143 (3,63)	.058 (1,47)	1/8 (3,18)
26RIV002	RIV 2	.085 (2,16)	.143 (3,63)	.058 (1,47)	3/16 (4,76)
26RIV003	RIV 3	.085 (2,16)	.143 (3,63)	.058 (1,47)	1/4 (6,35)
26RIV004	RIV 4	.085 (2,16)	.143 (3,63)	.058 (1,47)	5/16 (7,94)
26RIV005	RIV 5	.085 (2,16)	.143 (3,63)	.058 (1,47)	3/8 (9,53)
26RIV006	RIV 6	.085 (2,16)	.143 (3,63)	.058 (1,47)	7/16 (11,11)
26RIV007	RIV 7	.085 (2,16)	.143 (3,63)	.058 (1,47)	1/2 (12,70)
26RIV011	RIV11	.125 (3,18)	.250 (6,35)	.068 (1,73)	1/8 (3,18)
26RIV012	RIV12	.125 (3,18)	.250 (6,35)	.068 (1,73)	3/16 (4,76)
26RIV013	RIV13	.125 (3,18)	.250 (6,35)	.068 (1,73)	1/4 (6,35)
26RIV014	RIV14	.125 (3,18)	.250 (6,35)	.068 (1,73)	5/16 (7,94)
26RIV015	RIV15	.125 (3,18)	.250 (6,35)	.068 (1,73)	3/8 (9,53)
26RIV016	RIV16	.125 (3,18)	.250 (6,35)	.068 (1,73)	7/16 (11,11)
26RIV017	RIV17	.125 (3,18)	.250 (6,35)	.068 (1,73)	1/2 (12,70)
26RIV018	RIV18	.125 (3,18)	.250 (6,35)	.068 (1,73)	9/16 (14,29)
26RIV019	RIV19	.125 (3,18)	.250 (6,35)	.068 (1,73)	5/8 (15,88)
26RIV020	RIV20	.125 (3,18)	.250 (6,35)	.068 (1,73)	11/16 (17,46)
26RIV021	RIV21	.125 (3,18)	.218 (5,54)	.090 (2,29)	1/8 (3,18)
26RIV022	RIV22	.125 (3,18)	.218 (5,54)	.090 (2,29)	3/16 (4,76)
26RIV023	RIV23	.125 (3,18)	.218 (5,54)	.090 (2,29)	1/4 (6,35)
26RIV024	RIV24	.125 (3,18)	.218 (5,54)	.090 (2,29)	5/16 (7,94)
26RIV025	RIV25	.125 (3,18)	.218 (5,54)	.090 (2,29)	3/8 (9,53)
26RIV026	RIV26	.125 (3,18)	.218 (5,54)	.090 (2,29)	1/2 (12,70)
26RIV050	RIV50	.125 (3,18)	.255 (6,48)	.051 (1,30)	1/4 (6,35)
26RIV055	RIV55	.125 (3,18)	.255 (6,48)	.051 (1,30)	3/8 (9,53)

CIRCUIT BOARD HARDWARE

NYLON P.C.B. SUPPORTS "LOCK/TENSION" SERIES

THE "ITP" SERIES IS DESIGNED TO SECURELY LOCK TO THE BOTTOM CHASSIS AND SNAP INTO TOP BOARD.

ITEM NUMBER	DESCRIPTION	B
27ITP0187	3/16" LOCK/TENSION	.307 (7,80)
27ITP0250	1/4" LOCK/TENSION	.365 (9,27)
27ITP0375	3/8" LOCK/TENSION	.495 (12,57)
27ITP0437	7/16" LOCK/TENSION	.557 (14,15)
27ITP0500	1/2" LOCK/TENSION	.625 (15,88)
27ITP0625	5/8" LOCK/TENSION	.745 (18,92)
27ITP0750	3/4" LOCK/TENSION	.870 (22,10)
27ITP0875	7/8" LOCK/TENSION	.995 (25,27)
27ITP1000	1" LOCK/TENSION	1.120 (28,45)
27ITP1125	1 1/8" LOCK/TENSION	1.245 (31,62)
27ITP1250	1 1/4" LOCK/TENSION	1.370 (34,80)
27ITP1375	1 3/8" LOCK/TENSION	1.495 (37,97)
27ITP1750	1 3/4" LOCK/TENSION	1.810 (45,97)



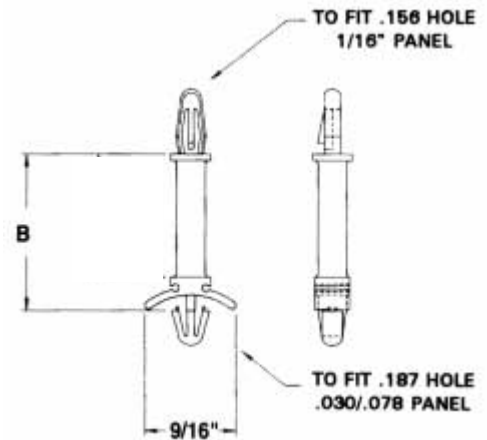
Circuit Board Supports eliminate screws nuts, and lockwashers in mounting printed circuit boards on metal chassis or stacking in multiple tiers. Unique locking designs provide mechanically secure, reusable connection in predrilled or punched holes while saving considerable assembly time and expense.



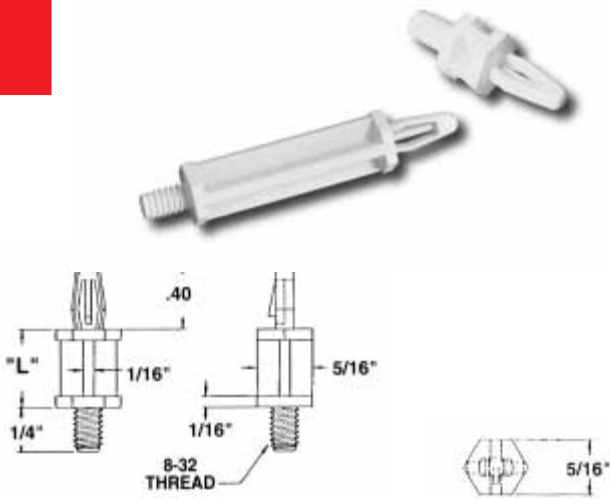
NYLON P.C.B. SUPPORTS "LOCK/LOCK" SERIES

THE "LLP" SERIES IS DESIGNED TO SECURELY LOCK BOTH THE CHASSIS END AND THE PRINTED CIRCUIT BOARD ON TOP.

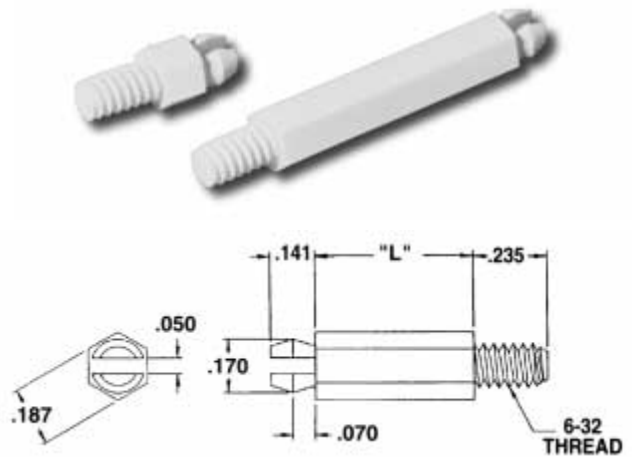
ITEM NUMBER	DESCRIPTION	B
27LLP0125	1/8" LOCK/LOCK	.21 (5,33)
27LLP0187	3/16" LOCK/LOCK	.307 (7,80)
27LLP0250	1/4" LOCK/LOCK	.365 (9,27)
27LLP0375	3/8" LOCK/LOCK	.495 (12,57)
22LLP0437	7/16" LOCK/LOCK	.557 (14,15)
27LLP0500	1/2" LOCK/LOCK	.625 (15,88)
27LLP0625	5/8" LOCK/LOCK	.745 (18,92)
27LLP0750	3/4" LOCK/LOCK	.870 (22,10)
27LLP0875	7/8" LOCK/LOCK	.995 (25,27)
27LLP1000	1" LOCK/LOCK	1.120 (28,45)
27LLP1125	1 1/8" LOCK/LOCK	1.245 (31,62)
27LLP1250	1 1/4" LOCK/LOCK	1.370 (34,80)
27LLP1375	1 3/8" LOCK/LOCK	1.495 (37,97)
27LLP1750	1 3/4" LOCK/LOCK	1.810 (45,97)



CIRCUIT BOARD HARDWARE



HOLE SIZE .156 PANEL THICKNESS 1/16"



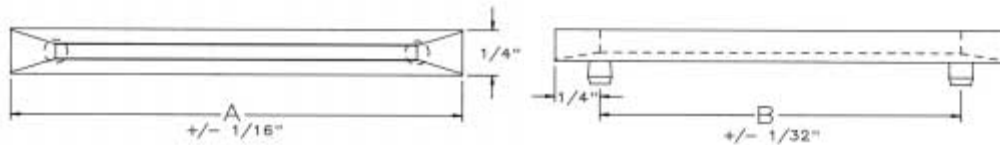
HOLE SIZE .156" PANEL THICKNESS 1/16" *THREAD LENGTH IS 11/32"

NYLON MALE P.C.B. SUPPORT POSTS "LOCKING" SERIES

ITEM NUMBER	DESCRIPTION	A
27LMIP00250	LMTP 250	.250 (6,35)
27LMIP00375	LMTP 375	.375 (9,53)
27LMIP00500	LMTP 500	.500 (12,70)
27LMIP00625	LMTP 625	.625 (15,88)
27LMIP00750	LMTP 750	.750 (19,05)
27LMIP00875	LMTP 875	.875 (22,23)
27LMIP01000	LMTP 1000	1.000 (25,40)
27LMIP01125	LMTP 1125	1.125 (28,58)

NYLON MALE P.C.B. SUPPORT POSTS "MTP" SERIES

ITEM NUMBER	DESCRIPTION	L
27MIP00125	MTP 125	.125 (3,18)
27MIP00187	MTP 187	.187 (4,75)
27MIP00250	MTP 250	.250 (6,35)
27MIP00375	MTP 375	.375 (9,53)
27MIP00395*	MTP 395	.395 (10,03)
27MIP00500	MTP 500	.500 (12,70)
27MIP00625	MTP 625	.625 (15,88)
27MIP00750	MTP 750	.750 (19,05)
27MIP00875	MTP 875	.875 (22,23)



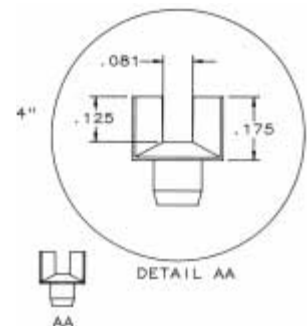
Printed Circuit Board Support Guides are an economical and fast solution to mount P.C. Boards. Card insertion is simple and fast. The smooth positive channel guides the P.C. Board and firmly supports and protects the board. Guides are molded of tough, electrically insulating nylon 6/6 and are designed to snap into pre-punched holes in the chassis.

NYLON P.C. BOARD CARD GUIDES



The Printed Circuit Board Card Guide is designed to fit a .125" +.003" - .001" front diameter hole and a .120" +/- .005" x .218" slot rear hole.

ITEM NUMBER	DESCRIPTION	A	B
21CGS00250	2 1/2" GUIDE	2.5	2.0
21CGS00300	3" GUIDE	3.0	2.5
21CGS00350	3 1/2" GUIDE	3.5	3.0
21CGS00400	4" GUIDE	4.0	3.5
21CGS00450	4 1/2" GUIDE	4.5	4.0
21CGS00500	5" GUIDE	5.0	4.5
21CGS00550	5 1/2" GUIDE	5.5	5.0
21CGS00600	6" GUIDE	6.0	5.5

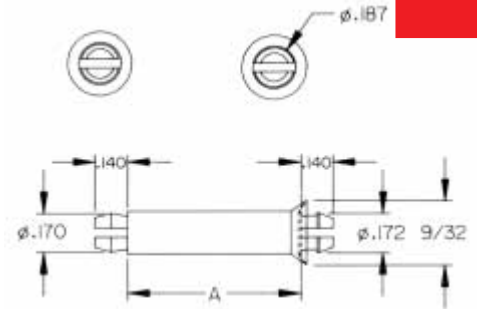
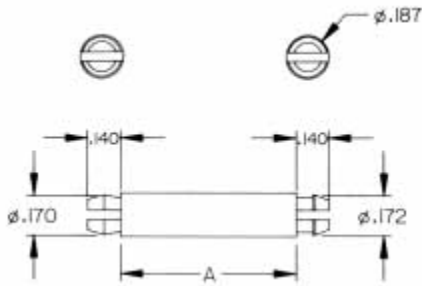


CIRCUIT BOARD HARDWARE

Economical locking spacers eliminate screws, nuts and lock washers in mounting P.C. Boards on metal chassis or stacking in multiple tiers.

Unique locking clips provide a mechanically secure, reusable connection in predrilled or punched holes while saving considerable assembly time.

The new improved "MSP" series greatly increases stability and integrity of the printed circuit board assembly, while improving the pull-out strength of the connection.



PARTS CAN BE FURNISHED COLOR CODED FOR IDENTIFICATION.
RECOMMENDED HOLE SIZE .156" +/- .002"



PANEL THICKNESS 1/16"

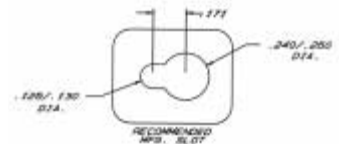
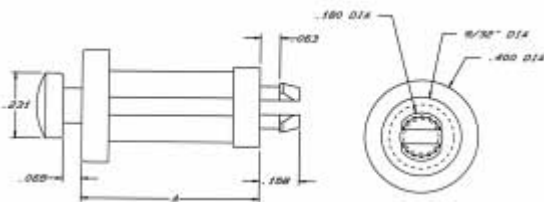
NYLON P.C.B. POSTS "MP" SERIES

ITEM NUMBER	DESCRIPTION	"A"
27MP00125	MP 125	.125 (3,18)
27MP00250	MP 250	.250 (6,35)
27MP00312	MP 312	.312 (7,92)
27MP00375	MP 375	.375 (9,53)
27MP00437	MP 437	.437 (11,11)
*27MP00437S	MP 437S	.437 (11,11)
27MP00500	MP 500	.500 (12,70)
27MP00625	MP 625	.625 (15,88)
27MP00750	MP 750	.750 (19,05)
27MP00875	MP 875	.875 (22,23)
27MP01000	MP1000	1.00 (25,40)

* FITS HOLE SIZE OF .093"

NYLON P.C.B. POSTS "MSP" SERIES

ITEM NUMBER	DESCRIPTION	A
27MSP00125	MSP 125	.125 (3,18)
27MSP00156	MSP 156	.156 (3,96)
27MSP00250	MSP 250	.250 (6,35)
27MSP00312	MSP 312	.312 (7,92)
27MSP00375	MSP 375	.375 (9,53)
27MSP00437	MSP 437	.437 (11,11)
27MSP00500	MSP 500	.500 (12,70)
27MSP00625	MSP 625	.625 (15,88)
27MSP00700	MSP 700	.685 (17,40)
27MSP00750	MSP 750	.750 (19,05)
27MSP00875	MSP 875	.875 (22,23)
27MSP01000	MSP1000	1.00 (25,40)
27MSP01800	MSP1800	1.80 (45,72)

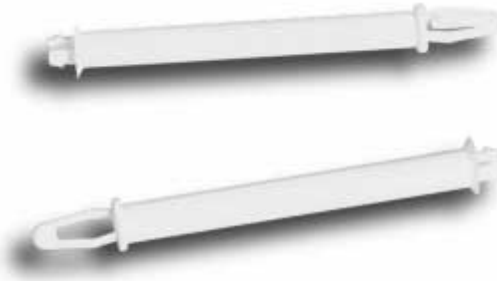
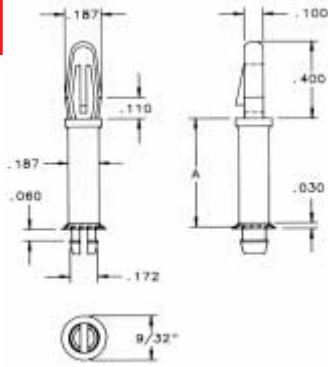


NYLON KEY-SLOT P.C.B. POSTS

ITEM NUMBER	DESCRIPTION	A
27KYP00187	KYP 187	3/16 (4,8)
27KYP00250	KYP 250	1/4 (6,4)
27KYP00375	KYP 375	3/8 (9,5)
27KYP00500	KYP 500	1/2 (12,7)
27KYP00625	KYP 625	5/8 (15,9)
27KYP00750	KYP 750	3/4 (19,1)
27KYP00875	KYP 875	7/8 (22,2)
27KYP01000	KYP 1000	1 (25,4)

For use in combination with a key-slot hole so that the circuit board may be removed for repairs.

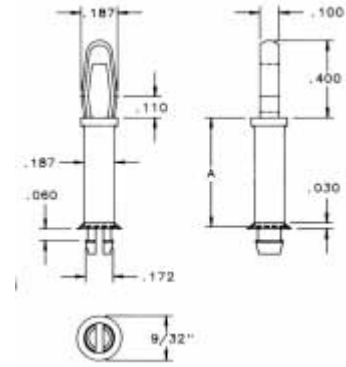
CIRCUIT BOARD HARDWARE



NYLON P.C.B. SUPPORTS "ICSP" SERIES

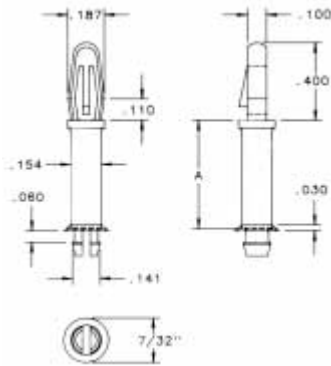
ITEM NUMBER	DESCRIPTION	"A"
27LCSP00125	LCSP 125	.125 (3,18)
27LCSP00250	LCSP 250	.250 (6,35)
27LCSP00312	LCSP 312	.312 (7,92)
27LCSP00375	LCSP 375	.375 (9,53)
27LCSP00437	LCSP 437	.437 (11,11)
27LCSP00500	LCSP 500	.500 (12,70)
27LCSP00625	LCSP 625	.625 (15,88)
27LCSP00750	LCSP 750	.750 (19,05)
27LCSP00875	LCSP 875	.875 (22,23)
27LCSP01000	LCSP 1000	1.000 (25,40)

SPRING END FITS .156" HOLE
LOCK OR TENSION END FITS .156" HOLE
PANEL THICKNESS 1/16"



NYLON P.C.B. SUPPORTS "TCSP" SERIES

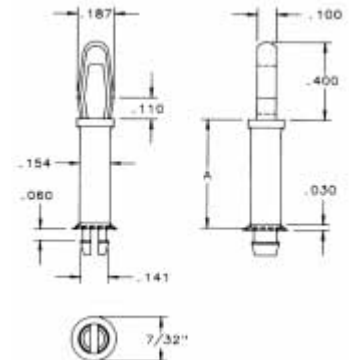
ITEM NUMBER	DESCRIPTION	"A"
27TCSP00125	TCSP 125	.125 (3,18)
27TCSP00250	TCSP 250	.250 (6,35)
27TCSP00312	TCSP 312	.312 (7,92)
27TCSP00375	TCSP 375	.375 (9,53)
27TCSP00437	TCSP 437	.437 (11,11)
27TCSP00500	TCSP 500	.500 (12,70)
27TCSP00625	TCSP 625	.625 (15,88)
27TCSP00750	TCSP 750	.750 (19,05)
27TCSP00875	TCSP 875	.875 (22,23)
27TCSP01000	TCSP 1000	1.000 (25,40)



NYLON P.C.B. SUPPORTS "LMSP" SERIES

ITEM NUMBER	DESCRIPTION	"A"
27LMSP00125	LMSP 125	.125 (3,18)
27LMSP00250	LMSP 250	.250 (6,35)
27LMSP00312	LMSP 312	.312 (7,92)
27LMSP00375	LMSP 375	.375 (9,53)
27LMSP00437	LMSP 437	.437 (11,11)
27LMSP00500	LMSP 500	.500 (12,70)
27LMSP00625	LMSP 625	.625 (15,88)
27LMSP00750	LMSP 750	.750 (19,05)
27LMSP00875	LMSP 875	.875 (22,23)
27LMSP01000	LMSP 1000	1.000 (25,40)

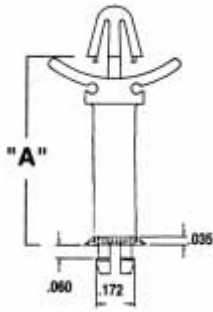
SPRING END FITS .156" HOLE
LOCK OR TENSION END FITS .125" HOLE
PANEL THICKNESS 1/16"



NYLON P.C.B. SUPPORTS "TMSP" SERIES

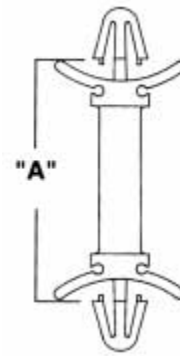
ITEM NUMBER	DESCRIPTION	"A"
27TMSP00125	TMSP 125	.125 (3,18)
27TMSP00250	TMSP 250	.250 (6,35)
27TMSP00312	TMSP 312	.312 (7,92)
27TMSP00375	TMSP 375	.375 (9,53)
27TMSP00437	TMSP 437	.437 (11,11)
27TMSP00500	TMSP 500	.500 (12,70)
27TMSP00625	TMSP 625	.625 (15,88)
27TMSP00750	TMSP 750	.750 (19,05)
27TMSP00875	TMSP 875	.875 (22,23)
27TMSP01000	TMSP 1000	1.000 (25,40)

CIRCUIT BOARD HARDWARE



**"LSP" SERIES - MSP END FITS A .156" HOLE
LOCKING END FITS .187" HOLE
PANEL THICKNESS .030 / .078**

**"DLP" SERIES - BOTH ENDS FIT A .187" HOLE
PANEL THICKNESS .030 / .078**



NYLON P.C.B. SUPPORTS "LSP" SERIES

ITEM NUMBER	DESCRIPTION	"A" *
27LSP00187	LSP 187	.307 (7,80)
27LSP00250	LSP 250	.365 (9,27)
27LSP00375	LSP 375	.495 (12,57)
27LSP00437	LSP 437	.557 (14,15)
27LSP00500	LSP 500	.625 (15,88)
27LSP00625	LSP 625	.745 (18,92)
27LSP00750	LSP 750	.870 (22,10)
27LSP00875	LSP 875	.995 (25,27)
27LSP01000	LSP 1000	1.120 (28,45)
27LSP01125	LSP 1125	1.245 (31,62)
27LSP01250	LSP 1250	1.370 (34,80)
27LSP01375	LSP 1375	1.495 (37,97)

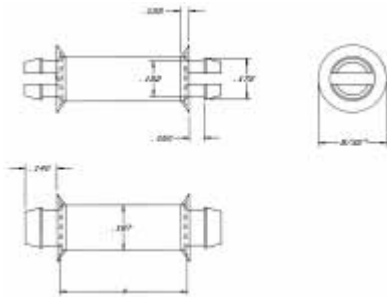
* EQUAL TO THE DISTANCE BETWEEN PANELS



NYLON P.C.B. SUPPORTS "DLP" SERIES

ITEM NUMBER	DESCRIPTION	"A" *
27DLP00187	DLP 187	.307 (7,80)
27DLP00250	DLP 250	.365 (9,27)
27DLP00375	DLP 375	.495 (12,57)
27DLP00437	DLP 437	.557 (14,15)
27DLP00500	DLP 500	.625 (15,88)
27DLP00625	DLP 625	.745 (18,92)
27DLP00750	DLP 750	.870 (22,10)
27DLP00875	DLP 875	.995 (25,27)
27DLP01000	DLP 1000	1.120 (28,45)
27DLP01125	DLP 1125	1.245 (31,62)
27DLP01250	DLP 1250	1.370 (34,80)
27DLP01375	DLP 1375	1.495 (37,97)

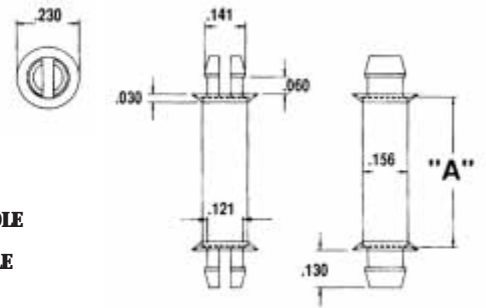
* EQUAL TO THE DISTANCE BETWEEN PANELS



"DSP" SERIES - BOTH ENDS FITS A .156" HOLE

"DMSP" SERIES - BOTH ENDS FIT A .125" HOLE

PANEL THICKNESS 1/16"



"DSP" SERIES

ITEM NUMBER	DESCRIPTION	"A"
27DSP00125	DSP 125	.125 (3,18)
27DSP00250	DSP 250	.250 (6,35)
27DSP00260	DSP 260	.260 (6,60)
27DSP00312	DSP 312	.312 (7,92)
27DSP00375	DSP 375	.375 (9,53)
27DSP00437	DSP 437	.437 (11,11)
27DSP00500	DSP 500	.500 (12,70)
27DSP00625	DSP 625	.625 (15,88)
27DSP00750	DSP 750	.750 (19,05)
27DSP00788	DSP 788	.788 (20,02)
27DSP00875	DSP 875	.875 (22,23)
27DSP01000	DSP 1000	1.000 (25,40)
27DSP01250	DSP 1250	1.250 (31,75)



"DMSP" SERIES

ITEM NUMBER	DESCRIPTION	"A"
27DMSP00125	DMSP 125	.125 (3,18)
27DMSP00250	DMSP 250	.250 (6,35)
27DMSP00312	DMSP 312	.312 (7,92)
27DMSP00375	DMSP 375	.375 (9,53)
27DMSP00437	DMSP 437	.437 (11,11)
27DMSP00500	DMSP 500	.500 (12,70)
27DMSP00625	DMSP 625	.625 (15,88)
27DMSP00750	DMSP 750	.750 (19,05)
27DMSP00875	DMSP 875	.875 (22,23)
27DMSP00950	DMSP 950	.950 (24,13)
27DMSP01000	DMSP 1000	1.000 (25,40)

CIRCUIT BOARD HARDWARE



increase the amount of interface surface between device and sink by minimizing clearance holes required for all feed-thru connectors. They also have a built-in barrier which not only eliminates need for sleeving of base and emitter connections but also serves as an assembly aid during installation.

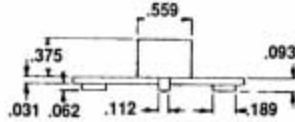
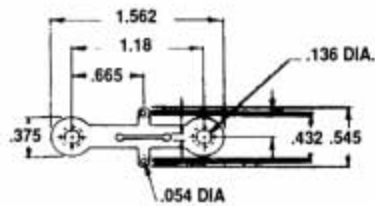
Simplify power transistor mountings and insulation, and improve thermal efficiency with molded insulators. These insulators are molded of Type 66 Nylon for regular applications and of Glass Filled Polyester for heavy-duty uses. They replace up to six pieces of conventional insulation required with previous mountings. They also



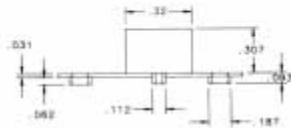
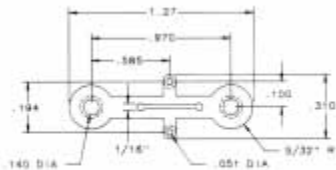
POWER TRANSISTOR MOUNTS

PTI-1 for TO-3

ITEM NUMBER	DESCRIPTION
19PTI1	PTI-1
18PTI1WOB	PTI-1 W/O BARRIER



STANDARD

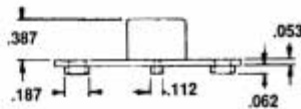
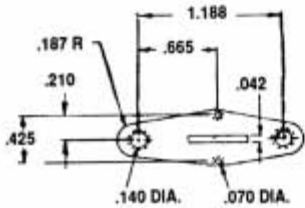


POWER TRANSISTOR MOUNTS

PTI-2 for TO-66

ITEM NUMBER	DESCRIPTION
19PTI2	PTI-2
18PTI2WOB	PTI-2 W/O BARRIER

STANDARD

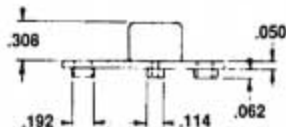
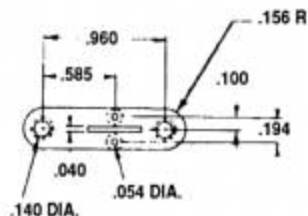


POWER TRANSISTOR MOUNTS

PTI-1-H for TO-3

ITEM NUMBER	DESCRIPTION
20PTI1HD	PTI-1 HD
18PTI1HDWOB	PTI-1 HD W/O BARRIER

HEAVY DUTY



POWER TRANSISTOR MOUNTS

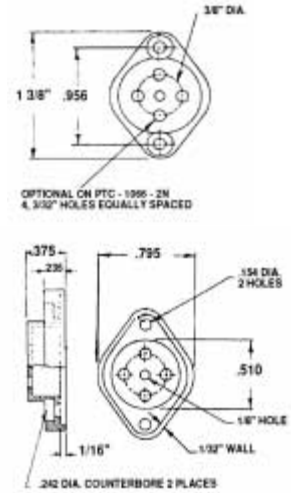
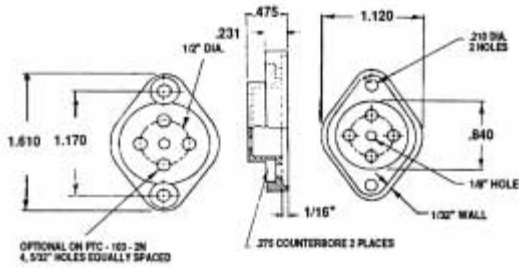
PTI-2-H for TO-66

ITEM NUMBER	DESCRIPTION
20PTI2HD	PTI-2 HD
18PTI2HDWOB	PTI-2 HD W/O BARRIER

HEAVY DUTY

CIRCUIT BOARD HARDWARE

Power Transistor Covers are available in both TO-3 and TO-66 configurations. Both 1 hole, 5 hole and no hole styles are offered. Transistor covers are stocked in Nylon 6/6. Other materials are available upon request.

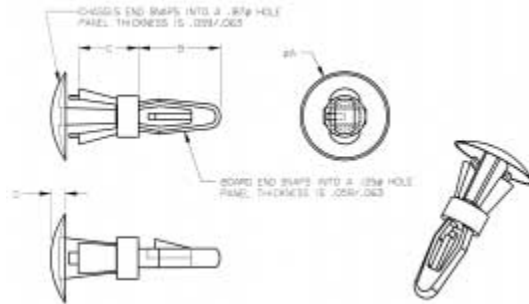


POWER TRANSISTOR COVERS TO-3

ITEM NUMBER	DESCRIPTION
21PTC01031	PTC 103-1N 1 HOLE
21PTC01032	PTC103-2N 5 HOLE
21PTC01033	PTC 103-ON NO HOLE

POWER TRANSISTOR COVERS TO-66

ITEM NUMBER	DESCRIPTION
21PTC010661	PTC1066-1N 1-HOLE
21PTC010662	PTC1066-2N 5-HOLE
21PTC010663	PTC1066-ON NO HOLE



REVERSE LOCKING CIRCUIT BOARD SUPPORTS

ITEM NUMBER	DESCRIPTION	A	B	C	D
27RV00250	RV 250	.375 (9,53)	11/32" (8,71)	.250 (6,35)	.060 (1,52)
27RV00375	RV 375	.375 (9,53)	11/32" (8,71)	.375 (9,53)	.060 (1,52)



REVERSE LOCKING CIRCUIT BOARD SUPPORT STANDOFF

ITEM NUMBER	DESCRIPTION	HEAD DIA.	BODY DIA.	HEAD HEIGHT	HOLE SIZE	A
27RVS00500	RVS 500	.375 (9,53)	.150 (3,81)	.045 (1,14)	.178 (4,52)	.500 (12,70)